

PL100 Bayonet-Style Position Light LED

Retrofit Kits for Incandescent Bulbs



Features

- State-of-the-art High Intensity Surface Mount LEDs with Integrated Lens
- Robust, Heavy Duty Packaging
- Compatible with Standard Bayonet Lamp Sockets
- Designed with LEDs to be at same dimensional position as bulb filament in typical assemblies
- Long Life LED technology - Reduced Maintenance Costs from Lamp Burn-outs
- Available in Lunar White



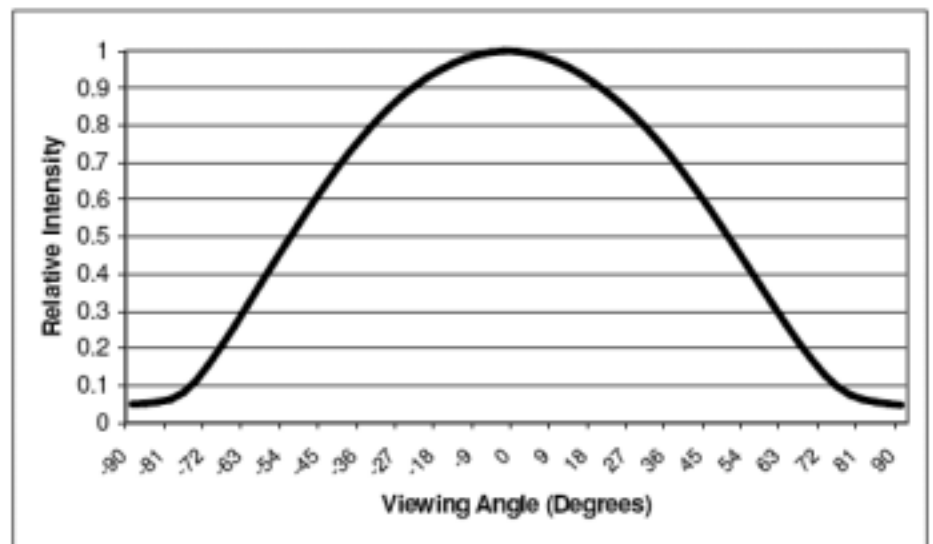
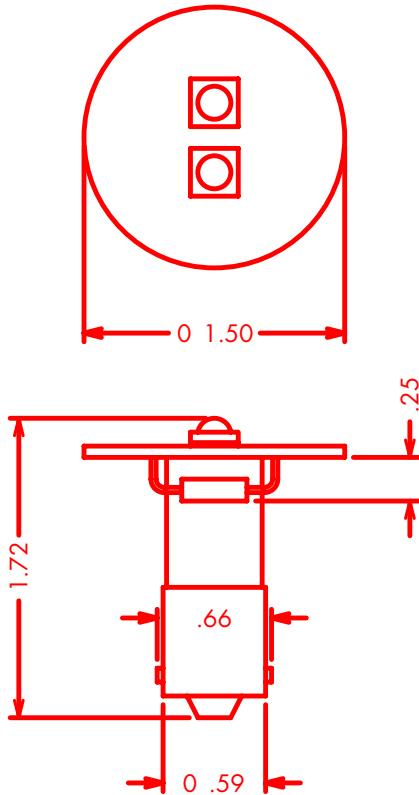
OPERATING SPECIFICATIONS

Operating Voltage Range	8.5V to 12.0 VDC or AC
Nominal Current Drawn (@ 10V DC)	0.3A
Typical Power Consumption	3W at 10VDC
Minimum Luminous Flux (lumens at 10V DC)	100 Lm



PERFORMANCE STANDARDS

Environmental Requirements	<ul style="list-style-type: none"> • 2004 AREMA Standard Class B • MIL-STD 810F
Operating Temperature Range	- 40° C to 70° C



ORDERING INFORMATION

47437-034-00

Lunar White

PL100 Bayonet-Style Position Light LED

